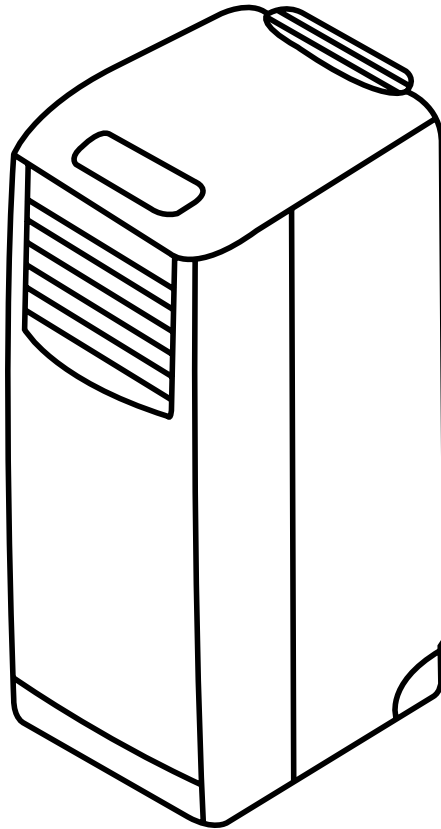
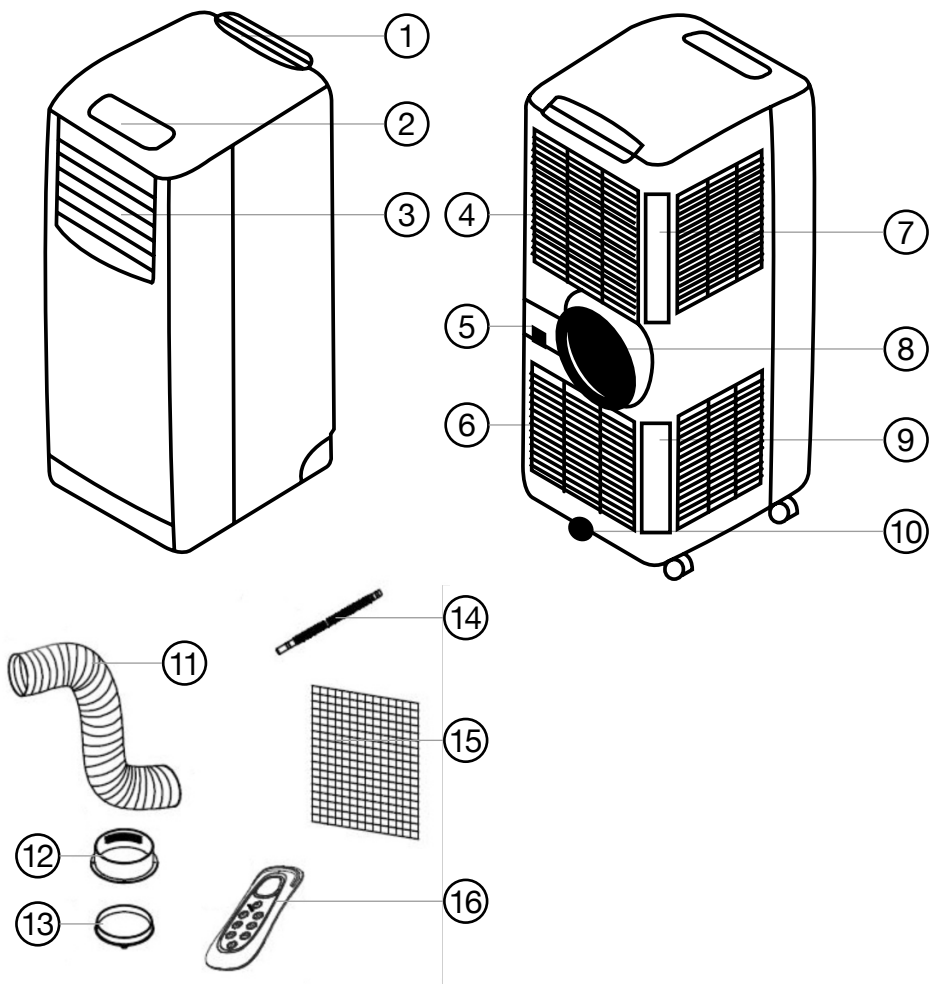


**BLACK+**  
**DECKER**



[www.blackanddecker.co.uk](http://www.blackanddecker.co.uk)

**BXAC40006GB**

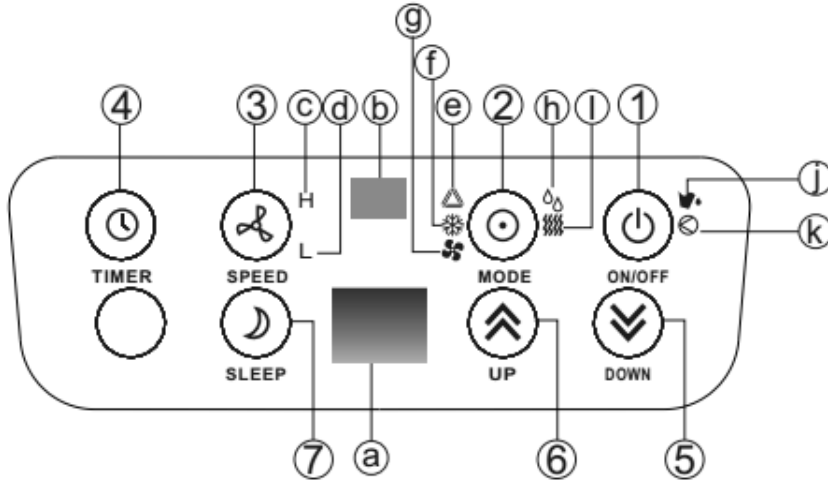


**What's in the box**

Instruction Manual  
 Portable 9,000 BTU 3-in-1  
 Air Conditioner  
 Remote Control

**Features**

- |                      |                                  |
|----------------------|----------------------------------|
| 1. Carrying Handle   | 9. Air Filter                    |
| 2. Control Panel     | 10. Water Stopper/Drainage Point |
| 3. Air Outlet        | 11. Window Hose                  |
| 4. Air Inlet         | 12. Adaptor                      |
| 5. Cord Storage      | 13. Adaptor Cover                |
| 6. Air Inlet         | 14. Drain Tube                   |
| 7. Air Filter        | 15. Active Carbon Filter         |
| 8. Window Air Outlet | 16. Remote Control               |



### Control Panel

1. On/Off (Power) Button
  2. Mode (Function) Option Button
  3. Speed (Ventilation) Button
  4. Timer Button
  5. Temperature Down Button
  6. Temperature Up Button
  7. Sleep Button
- 
- a. Display Window
  - b. Receiver For Remote Control
  - c. High Ventilation Indicator
  - d. Low Ventilation Indicator
  - e. Automatic Mode Indicator
  - f. Cooling Mode Indicator
  - g. Fan Mode Indicator
  - h. Dehumidify (Dry) Mode Indicator
  - i. Heating Mode Indicator
  - j. Full Water Indicator
  - k. Indicator For Compressor Operation

### Intended Use

Your BLACK+DECKER BXAC40006GB Portable 9,000 BTU 3-in-1 Air Conditioner has been designed for cooling small and medium spaces.

This appliance is intended for indoor household use only.

Thank you for choosing BLACK+DECKER. We hope that you will enjoy using this product for many years.

### Safety Instructions

**▲WARNING:** Read all safety warnings and all instructions. Failure to follow the warnings and instructions listed below may result in electric shock, fire and/or serious injury.

- ◆ Read this manual carefully before using the appliance.
- ◆ The intended use is described in this manual.
- ◆ The use of any accessory or attachment or the performance of any operation with this appliance other than those recommended in this instruction manual may present a risk of personal injury.
- ◆ Retain this manual for future reference.
- ◆ **▲WARNING:** When using mains-powered appliances, basic safety precautions, including the following, should always be followed to reduce the risk of fire, electric shock, personal injury and material damage.

### Using Your Appliance

Please read the operating instructions carefully before using your portable air conditioner for the first time.

- ◆ Check that the voltage of the main circuit corresponds with the rating of the appliance before operating.
- ◆ Children shall not play with the appliance.
- ◆ Do not let the cable hang over the edge of a table or counter or let it come into contact with any hot surfaces.
- ◆ The use of accessory attachments is not recommended by the appliance manufacturer, apart from those supplied with this product.
- ◆ Do not pull the plug out by the cable as this may damage the plug and/or the cable.
- ◆ Do not use this product for anything other than its intended use.
- ◆ This appliance is for household use only.
- ◆ Do not carry the appliance by the power cable.
- ◆ Do not use the appliance outdoors.
- ◆ Do not operate with wet hands.
- ◆ Use of an extension cable with this appliance is not recommended. However, if it is necessary to use an extension lead, ensure that the lead is suited to the power consumption of the appliance to avoid overheating of extension cable, appliance or plug point.

Do not place the extension cable in a position where it can be pulled on by children or animals or tripped over.

- ◆ Always unplug the unit when not in use or before cleaning.
- ◆ The manufacturer does not accept responsibility for any damage or injury caused by improper or incorrect use, or for repairs carried out by unauthorised personnel.

### Safety Of Others

- ◆ Close supervision is necessary when any appliance is used by or near children.
- ◆ Children should not play with the appliance.
- ◆ This appliance can be used by children aged from 8 years and above and persons with reduced physical, sensory or mental capabilities or lack of experience and knowledge if they have been given supervision or instruction concerning use of the appliance in a safe way and understand the hazards involved.
- ◆ Cleaning and user maintenance should not be undertaken by children without supervision.
- ◆ Take care when any appliance is used near pets.
- ◆ Do not allow the cord to become twisted.

### After Use

- ◆ While cleaning, DO NOT use a wet cloth or use water on any part of the unit, as this may cause a short circuit or electrical shock.
- ◆ Keep this unit clean. Do not allow objects to enter the ventilation opening as this may cause electric shock, or damage to the unit. Switch off the unit and then remove the plug from the socket when not in use or before cleaning.
- ◆ Check all inlets and outlets regularly for accumulated dust
- ◆ Disconnect the unit from mains outlet when it is not in use, or before relocating or cleaning it.
- ◆ Switch off and remove the plug from the socket before leaving the appliance unattended and before changing, cleaning or inspecting any parts of the appliance.
- ◆ When not in use, the appliance should be stored in a dry place. Children should not have access to stored appliances.

### Inspections And Repairs

- ◆ Do not attempt to dismantle, repair or remould any part of the unit. This should only be done by a qualified service agent. Even the change of power cable should be done by a qualified person.

- ◆ In the unlikely event the appliance develops a fault, stop using it immediately and seek advice from the manufacturer.
- ◆ In case of technical problems, switch off the product and do not attempt to repair it yourself. Return the appliance to an authorised service facility for examination, adjustment or repair. Always insist on the use of original spare parts. Failure to comply with the above mentioned precautions and instructions, could affect the safe operation of this product.

### Additional safety instructions for Air conditioners and Fans

- ◆ Install the unit on flat and hard floor to diminish vibration or noise.
- ◆ Always operate the appliance on a smooth, even, stable surface. Do not place the unit on a hot surface.
- ◆ Ensure that the unit is switched off after use.
- ◆ Do not immerse cables, plugs or any part of the appliance in water or any other liquid.
- ◆ Operate the unit only at the voltage specified.
- ◆ Do not use the unit near open windows, as contact with rain and other natural elements could cause an electrical hazard
- ◆ Do not put heavy objects on the appliance.
- ◆ Do not tip the unit on its side.

- ◆ Never insert any other object into the unit body to avoid any hazard or unit failure.
- ◆ Do not put the unit close to heat-generating devices or near flammable and dangerous materials.
- ◆ If the supply cable is damaged, it must be replaced by the manufacturer or its service agent or a similarly qualified person in order to avoid a hazard
- ◆ The appliance must be positioned so that the plug is accessible.

**⚠WARNING:** Do not place the unit on or near a hot gas electric burner.

### Safety relating to refrigerant R290:

- ◆ These symbols on your device mean:
- ◆ This appliance is filled with Propane gas R290. ALWAYS follow the manufacturer's instruction concerning use and repairs.
- ◆ Read the entire instruction manual carefully before attempting to use the appliance.
- ◆ Do not install, operate or store the device in a room smaller than 9m<sup>2</sup>.



- ◆ Read these warnings carefully.

- ◆ This appliance contains the refrigerant R290. R290 is a refrigerant that complies with the relevant European Directives. Never perforate the refrigerant circuit.

**CAUTION: R290 is flammable (GWP3)!**

- ◆ DO NOT use any processes to clean the unit or accelerate the defrosting process, other than those recommended by the manufacturer.
- ◆ DO NOT store the appliance in a room containing other continuously operating ignition sources (for example: open flames, an operating gas appliance or an operating electric heater).
- ◆ DO NOT pierce or burn any of the components of the cooling circuit of the unit. DO NOT set the unit on fire.
- ◆ Take care to store the appliance in such a way as to prevent mechanical faults or damage from occurring.
- ◆ DO NOT install, operate or store the appliance in a room with a floor area of less than 11m<sup>2</sup>.
- ◆ Be aware that the refrigerant may be odourless, and that leaks may not be detectable by smell.
- ◆ ALWAYS take care to comply with national gas regulations.

- ◆ Keep ventilation openings clear of obstruction.
- ◆ Store the appliance in a well-ventilated area where the room size corresponds to the room area specified for operation.
- ◆ Any person who is involved with working on or breaking into a refrigerant circuit should hold a current valid certificate from an industry-accredited assessment authority, which authorises their competence to handle refrigerants safely in accordance with an industry recognised assessment specification.
- ◆ Servicing shall only be performed on the grounds recommended by the equipment manufacturer. Maintenance and repair requiring the assistance of other skilled personnel shall be carried out under the supervision of the person competent in the use of flammable refrigerants.

**▲WARNING:** Do not place the unit on or near a hot gas electric burner.

## Electrical safety

Before use, check that the mains voltage corresponds to the voltage on the rating plate.



This product must be earthed. Always check that the mains voltage corresponds to the voltage on the rating plate.

- ◆ Appliance plugs must match the outlet. Never modify the plug in any way.
- ◆ Do not use any adaptor plugs with earthed (Class 1) appliances. Unmodified plugs and matching outlets will reduce the risk of electric shock.
- ◆ To avoid the risk of electric shock, do not immerse the cord, plug or appliance in water or other liquid.

## Extension cables & class 1 product

- ◆ A 3 core cable must be used as your tool is earthed and of class 1 construction.
- ◆ Up to 30m (100 ft) can be used without loss of power.
- ◆ If the supply cord is damaged, it must be replaced by the manufacturer or an authorised BLACK+DECKER Service Centre in order to avoid a hazard.

**Warning!** Before assembling, switch the appliance off and remove the plug from the socket.

## Features (Refer to diagrams on page 2)

1. Carrying Handle
2. Control Panel
3. Air Outlet
4. Air Inlet
5. Cord Storage
6. Air Inlet
7. Air Filter
8. Window Air Outlet
9. Air Filter
10. Water Stopper/Drainage Point
11. Window Hose
12. Adaptor
13. Adaptor Cover

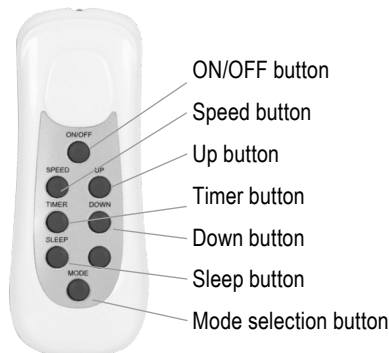
14. Drain Tube
15. Active Carbon Filter
16. Remote Control

## Use

About the Controls

- ◆ 2 speed selection
- ◆ 24 hour timer
- ◆ 3 cooling modes and dehumidifying mode
- ◆ Sleep mode
- ◆ LED display

## Remote Control



## Moving the Unit

- ◆ This unit is equipped with castor wheels and a carry handle, for easy movement.
- ◆ To move the unit, grip it firmly by the carry handle and pull it along the floor as required. Alternatively, position yourself behind the unit, grip it firmly on both sides, and push it along the floor as required.



## Installing the Batteries

**⚠ WARNING:** Battery acid leakage can cause personal injury and cause damage to the product and surrounding property. If battery leakage occurs, thoroughly wash any affected skin, making sure to keep battery acid away from eyes, ears, nose and mouth. Immediately wash any clothing or other surface that comes in contact with leaked battery acid. If a chemical burn occurs or if irritation persists, seek medical attention. Dispose according to Local, State or Federal regulations.

**⚠ WARNING:** NEVER mix old and new batteries or different brands of batteries. Replace all batteries at the same time.

NEVER mix alkaline, standard (carbon-zinc), rechargeable (nickel-cadmium) batteries with this product.

NEVER dispose of batteries in fire, as they may leak and explode.

ALWAYS remove exhausted batteries from product.

Batteries are to be inserted following the polarity markings on the product.

Remove batteries before extended storage.

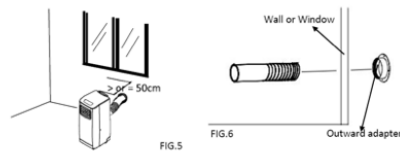
- ◆ To begin using this air conditioning unit, start by installing the batteries in the remote control.
- ◆ To install the batteries, first detach the battery cover from the remote. To do this, place your finger on the grooved area at the centre of the battery cover and push down and away from the body of the remote.
- ◆ Insert 2 x AAA batteries into the battery compartment, taking care to ensure the polarities are correct.
- ◆ Once the batteries have been correctly inserted, replace the battery cover by aligning each of the locking tabs with the corresponding notch on the remote control body and pushing it upwards until it clicks into place.
- ◆ The remote control is now ready for normal use.

## Assembling Your 3-in-1 Air Conditioner

**⚠ WARNING:** Before performing any assembly or maintenance, switch the unit off and remove it from the power supply.

### Installing the Window Hose

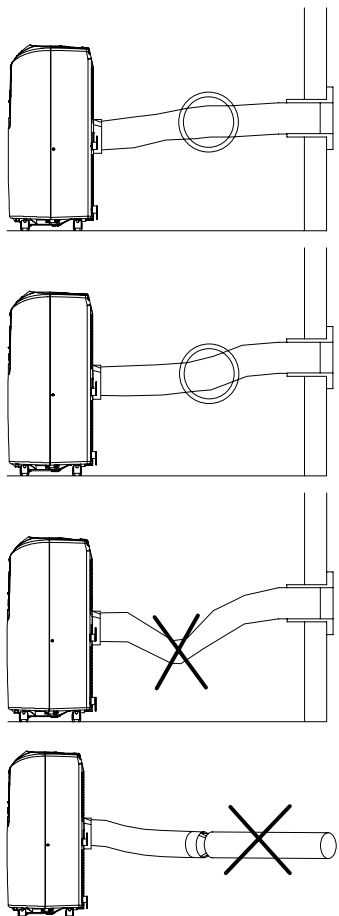
- ◆ Before using your air conditioning unit, you will need to install the window hose so that hot air from the appliance is released onto an outside, open-air area. The sections below illustrate the correct way to attach and install the window hose.



- ◆ Before using your air conditioner, you will need to install the window hose so that fumes from the appliance are released onto an outside, open-air area.
- ◆ To install the window hose, feed the end of the tube through any available window and secure it into place using the included adaptor. Ensure the distance between the unit and the window is at least 50cm.

**Note!** When not using the air conditioner, plug the hole with the cover provided.

### Mounting the Window Hose

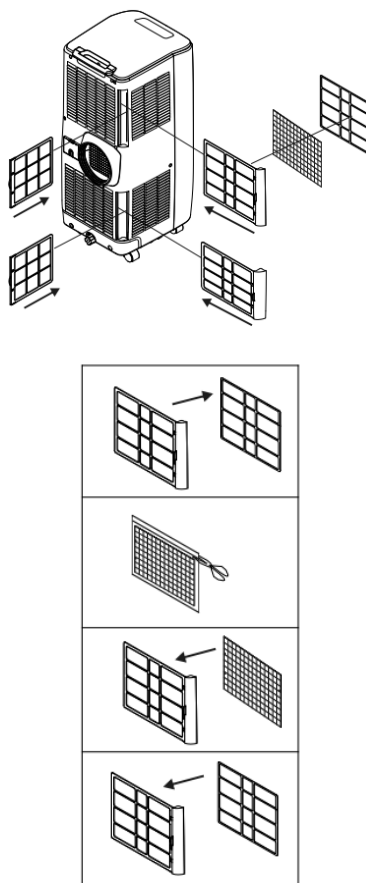


- ◆ To attach the window hose, clip it to the back of the air cooling unit. Take care to avoid any bends or kinks as this could cause the pipe to clog, resulting in overheating and potential malfunction. The illustrations above show the correct position for the window hose.

**Note!** Although the hose may be extended up to a total length of 30cm, we recommend its length be kept as short as possible to ensure optimal performance.

**Note!** Use ONLY the hose provided with your air cooling unit. Attempting to attach other hoses to it to extend the length could result in the unit malfunctioning.

### Installing the Carbon Filter



This unit comes complete with an included carbon filter. You will need to install this filter before attempting to use your air conditioner. The image above illustrates the correct way to place this filter into the unit.

### Turning Your Appliance On or Off

- ◆ Press the Power On/Off button on the remote control or on the appliance's control panel to turn it on. The LED indicators and LED display on the unit's control panel will come on and air will start emitting from the vents to show the unit has been turned on.
- ◆ Press the button again to turn the appliance off.

The LED indicators and LED display on the unit's control panel will go out and air will stop emitting from the vents to show the unit has been turned off.

### Speed Selection

- ◆ Press the Speed button on the remote control or on the appliance's control panel to choose between High and Low speed settings. The corresponding indicator will light up on the unit's body to show which speed has been selected.

### Controlling the Air Flow

- ◆ This unit allows for manual control of the air flow through the positioning of the inner and outer louvers at the front of the unit.
- ◆ To position the outer louvers, gently hold them by the lip and push them upwards or downwards as required. Push the louvers upwards to open them, or downwards to close them.
- ◆ To position the inner louvers, gently hold them by the lip and push them sideways to the left or right as required. The air flow will be re-directed accordingly.

### Temperature Selection

- ◆ While the unit automatically adjusts its selected mode to reflect room temperature, temperature outputs can also be manually controlled if required.
- ◆ Press the Up and Down buttons on the remote control or the + and – buttons on the unit's control panel to manually adjust temperature levels. Press the Up or + buttons to increase the temperature, or press the Down or – buttons to decrease it.

**Note!** The unit's temperature will increase or decrease by increments of 1, from 18 to 32 degrees.

### Selecting Functions

- ◆ Press the Mode button on the remote control or on the appliance's control panel to switch between the Auto, Cooling, Fan and Dehumidifying modes. To select a different function, press the button again as many times as required until you have reached your preferred function.

- ◆ **Automatic Mode** - Automatic mode is the unit's default working mode. In this mode, the unit will automatically detect ambient temperature in the room and select the appropriate function. If the ambient temperature is above 23 degrees, the unit will automatically start in cooling mode; if the temperature is 23 degrees or below, it will automatically start in ventilation mode. The corresponding indicators will light up to show which mode the unit is operating in. For cooling mode, the Auto and Cooling indicators will light up; for ventilation mode, the Auto and Fan indicator will light up.

**Note!** When the unit is in Automatic mode, temperature levels cannot be manually controlled or changed.

**Note!** When first turned on, the unit will automatically start on Automatic mode.

- ◆ **Cooling Mode** - In cooling mode, the unit will blow out cold air to decrease the ambient temperature. To select cooling mode, press the 'Mode' button repeatedly until the corresponding indicator lights up.
- ◆ **Fan Mode** - In fan mode, the unit will blow out natural air to cool the ambient temperature. To select fan mode, press the 'Mode' button repeatedly until the corresponding indicator lights up.

**Note!** When the unit is in Fan mode, temperature levels cannot be manually controlled or changed.

- ◆ **Dehumidifying Mode** - This unit is equipped with a dehumidifying function, which removes moisture from the air to purify it. To select dehumidifying mode, press the 'Mode' button repeatedly until the corresponding indicator lights up.

**Note!** When the dehumidifying function is selected, the unit will vibrate briefly as the compressor kicks in. This is normal and not indicative of malfunction.

- ◆ **Sleep Mode** - You can set the unit to operate overnight by pressing the Sleep button when the unit is in operation. In sleep mode, the unit will operate at low speed, and its temperature will increase or decrease by 1 degree for the first two hours. The unit will then keep a constant temperature until turned off.

In cooling mode, the temperature will increase; in fan mode, it will decrease.

Press the Sleep button again while the unit is in sleep mode to turn this function off. The fan will resume operation and default to the latest pre-set mode and speed settings.

**Note!** In sleep mode, the unit will automatically turn itself off after 12 hours of continuous operation.

### The Timer Function

This unit is equipped with a 24-hour programmable timer.

### Setting the Timer

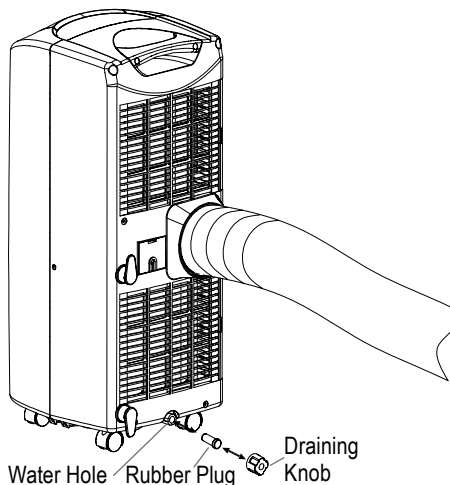
- ◆ Press the Timer button on the remote control or on the appliance's control panel to activate the timer. The number '0' will appear on the unit's LCD display to indicate the timer function has been selected.
- ◆ Once this function has been activated, continuously press the Timer button again to select your desired operation time, from 1 to 24 hours.

### Pre-Setting the Timer

- ◆ The unit's timer can also be pre-set and used as a delay timer, so that the unit will begin operation after a set period of time.
- ◆ To pre-set a delay time, press the Timer button while the unit is plugged into the mains, but not in operation. The number '0' will appear on the unit's LCD display to indicate the pre-set delay timer function has been selected.
- ◆ Once this function has been activated, continuously press the Timer button again to select your desired delay time, from 1 to 24 hours.

**Note!** To cancel a pre-set delay timer, press the Power On/Off button to turn the unit on, then press the button again to turn it off if necessary. This will cancel any previously set delay timers.

### Draining the Unit



While the unit is operating, water will be extracted from the air into the built-in water tank.

When the reservoir is full, both the compressor and motor will stop, the unit will emit a buzzing sound and the 'Water' and 'Comp' indicator on the unit's control panel will begin to flash.

When this occurs, we recommend you drain or empty the water tank, to ensure the unit continues to operate correctly.

### To empty the water tank, follow the steps below:

- ◆ Turn off the unit and avoid moving it.
- ◆ Place a container, such as a water tray, underneath the drain hole.
- ◆ Remove the drain plug and plug cap, to allow the water to drain out.
- ◆ When the container is almost full, place the drain plug back into the plug hole and empty the water tray.
- ◆ Repeat this procedure until the unit is empty.
- ◆ Once you have emptied the unit, put the rubber plug and plug cap back into place and tighten the cap firmly.

- ◆ When you have completed the drainage process, turn the unit back on and ensure the 'Water' and 'Comp' indicators are no longer flashing. This signals the process has been carried out correctly and the unit has been drained.

**Note!** To stop the buzzing sound, press any button on the unit's remote control.

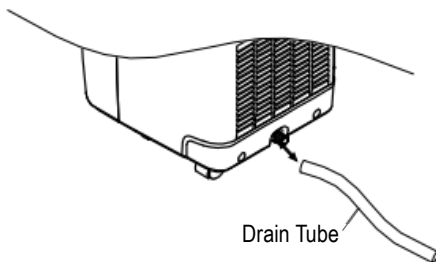
**Note!** Always wait at least 3 minutes after switching off the unit before turning it back on. This will help prolong the life of the compressor.

### Draining Without the Tank

- ◆ You can also drain the unit without needing to empty the water tank. To do so, simply remove the drain plug and plug cap, insert the drain tube into the water outlet, and connect the other end of this tube into a drain, as shown in the illustrations below.

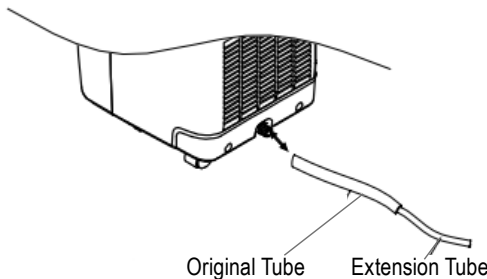
**Note!** The drain must be at or below the outlet level.

**Note!** Please note that when using this method of drainage, the 'Water' indicator on the unit's control panel will not flash.



### Extending the Drainage Tube

- ◆ The drainage tube can also be extended using a tube of a similar diameter (18mm) and an appropriate connector, as shown in the illustration below.



### Self-Diagnosis

- ◆ This unit is equipped with a self-diagnose feature, which warns you of any errors or malfunctions it finds in the course of its normal operation. Any errors the unit finds when running its self-diagnose will be represented by the words 'E1' or 'E2' appearing on the display panel.
- ◆ Should any malfunction occur, please seek out a specialised technician or contact our customer support team.

### Cleaning and maintenance

**▲WARNING:** Before cleaning and maintenance, switch the appliance off and remove the plug from the socket, to prevent electric shock.

**Note!** Always unplug the unit from the mains before cleaning.

**Note!** Clean the unit regularly to ensure optimal performance.

### Cleaning the Housing

- ◆ To clean the unit's housing, wipe it down with a soft, damp cloth.
- ◆ Never use aggressive chemicals, gasoline, detergents, chemically treated cloths or other cleaning solutions to clean the unit, as this may cause damage to its components.

### Cleaning the Filter

- ◆ To clean the filter, tap it lightly or use a vacuum cleaner to remove loose dust and dirt from its surface.
- ◆ Once it is dust and dirt-free, rinse the filter thoroughly under running water, at a temperature of no more than 40 degrees centigrade.
- ◆ Dry the filter thoroughly before placing it back into the unit.

**Note!** NEVER attempt to operate the unit without the filters.

### Before storing the unit:

- ◆ Drain any water inside the tank.
- ◆ Operate the unit in ventilation only mode for a few hours to thoroughly dry the interior.
- ◆ Clean or change the filter.
- ◆ Unplug and store the power cord.
- ◆ Place the unit back into its original box.
- ◆ You can now safely store the unit.

### Mains plug replacement

**▲WARNING:** The following section on mains plug replacement is for authorised service centre persons only.

If a new mains plug needs to be fitted:

- ◆ Safely dispose of the old plug.
- ◆ Connect the brown lead to the live terminal in the new plug.
- ◆ Connect the blue lead to the neutral terminal.
- ◆ If the product is class I (earthed), connect the green/yellow lead to the earth terminal.

**Note!** If your product is class II double insulated (only 2 wires in the cord set), no connection is to be made to the earth terminal.

Follow the fitting instructions supplied with good quality plugs. Any replacement fuse must be of the same rating as the original fuse supplied with the product.

### Protecting the environment



Separate collection. Products and batteries marked with this symbol must not be disposed of with normal household waste.

Products and batteries contain materials that can be recovered or recycled, reducing demand for raw materials. Please recycle electrical products and batteries according to local provisions. Further information is available at [www.2helpU.com](http://www.2helpU.com).

### Technical data

|               |      |             |
|---------------|------|-------------|
|               |      | BXAC40006GB |
| Input voltage | V AC | 220-240V    |
| Frequency     | Hz   | 50          |
| Power input   | W    | 1000        |
| Weight        | KG   | 24.6        |

### Product Guarantee

This product comes with a 2 Year guarantee from the original date of purchase. If any defect arises due to faulty materials or workmanship, the faulty products must be returned to the place of purchase. Refund or replacement is at the discretion of the retailer. This guarantee is in addition to and in no way prejudices your statutory rights.

### The Following Conditions Apply:

- ◆ The product must be returned to the retailer with proof of purchase or a receipt within the 1st year of purchase. For any product related issues after 12 months please contact our customer services team.
- ◆ The product must be installed and used in accordance with the instructions contained in this instruction guide.
- ◆ It must be used only for domestic purposes.
- ◆ It does not cover wear and tear, damage, misuse or consumable parts.
- ◆ This guarantee is valid in the UK and Republic of Ireland.

### For all customer service enquires please contact us below;

RKW,  
Sutton House,  
Berry Hill Road,  
Stoke-on-Trent,  
ST4 2NL  
Email [blackanddecker@rkw ltd.com](mailto:blackanddecker@rkw ltd.com)  
Tel 0333 220 6089

| Model Identifier(s): BXAC40006GB  |   |       |           |
|---|---|-------|-----------|
| Item  | Symbol  | Value | Unit      |
| Rated output power for cooling  | P rated for cooling   | 2.6   | KW        |
| Rated output power for heating  | P rated for heating   | N/A   | KW        |
| Rated input power for cooling   | P EER   | 1     | KW        |
| Rated input power for heating   | P COP   | N/A   | KW        |
| Rated energy efficiency ratio   | EER rated   | 2.6   | -         |
| Rated coefficient of performance  | COP rated   | N/A   | -         |
| Thermostat OFF mode power consumption   | P TO  | 137   | W         |
| Standby mode power consumption  | P SB  | 0.48  | W         |
| OFF mode power consumption  | P OFF   | N/A   | W         |
| Seasonal electricity consumption for single ducts (SD) hourly electricity consumption | Q SD  | 1     | kWh/60min |
| Sound power level (indoor only)   | LwA   | 65    | dB(A)     |
| Global Warming potential refrigerant  | GWP   | 3     | kgCO2 eq  |
| Contact Details:  | Imported by Black & Decker, 210 Bath Road,<br>Slough, Berkshire SL1 3YD |       |           |

---

**United Kingdom &  
Republic Of Ireland**  
www.blackanddecker.co.uk  
emeaservice@sbdinc.com

Black & Decker  
210 Bath Road  
Slough, Berkshire SL1 3YD

Tel. 01753 511234  
Fax 01753 512365

---