

## CXDE Infrared Heater



## Technical Details

<b>Controls</b>	Digitally controlled, accurate electronic thermostat. <b>Timer modes:</b> 7 Day Programmable User Timer <b>Continuous heat modes:</b> Manual, Runback, Off
<b>Controller UI</b>	Off-board control only.
<b>Controller Functions</b>	<ul style="list-style-type: none"> <li>Open Window Detection</li> <li>Advance time period</li> <li>Heat Selection (High/Low) for 3/4.5kW models</li> <li>Bluetooth for control</li> <li>Master/Slave/PIR 6.3mm male push-on terminals</li> </ul>
<b>Construction</b>	Durable epoxy-polyester powder coated steel casing with chrome plated grille
<b>Element</b>	Ceramic no glow radiant elements
<b>Installation</b>	Supplied with wall mounting bracket.
<b>Safety</b>	No cut-out on-board. Protection via RCD
<b>IP Rating</b>	IPX4
<b>Battery Backup</b>	None. Time and date must be re-programmed in event of power loss to the product
<b>Supply</b>	1.3 metres fitted, 3 core for fused spur installation, 1/N/PE -230-240 V, 50 Hz Class I, with earth wire
<b>Colour / Finish</b>	Powder coated steel, finished in Matte Black

Mode/Item No.(EAN-Code 5011139+Item No.)	060327 CXD2000VE	060310 CXD2000HE
Output (kW)	2.0	2.0
No. of Elements	2	2
Height (mm)	380	255
Width (mm)	442	735
Depth (mm)	121	248
Weight (kg)	5.5	5.2
Min. Installed Height (M)	1.8	1.8
Recommended Installed Height (M) - Dimension A	2.0	2.0
Dimension B—Throw	3.0	2.0
Dimension C—Spread	4.0	4.5
<b>Packaging Details</b>		
Height (mm)	430	300
Width (mm)	505	770
Depth (mm)	170	170
Packed Weight (kg)	6	6.5
Ti	4	4
Hi	10	8
Pallet Quantity (2.4m high)	40	32

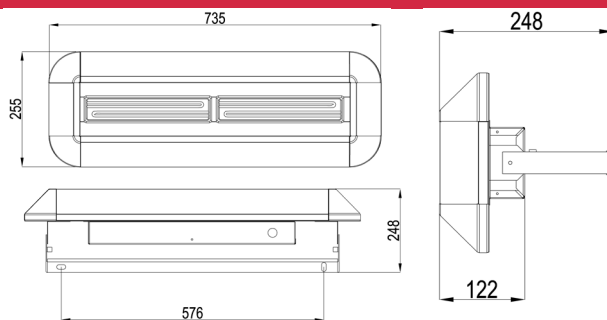
## Product Description

QXDE features an electronic thermostat for temperature-based lamp power-on. The QXDE also features a built-in 7 day timer which can be set-up and activated via Bluetooth remote

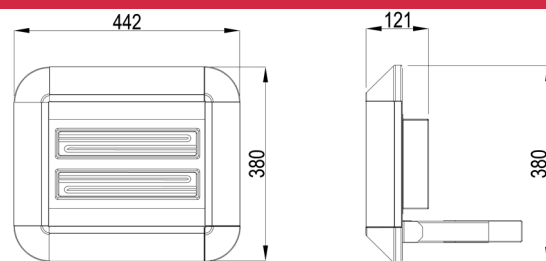
## Key Features

- Seven-day timer and temperature control (programmed via additional remote)
- Accurate electronic thermostat
- Features energy-saving Open Window Detection
- Same size and fixings as older Dimplex CXD heaters
- Available in a compact or wider throw
- Complies with Lot 20 of ERP Directive

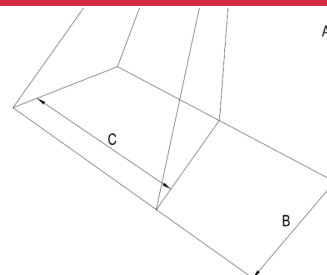
## CXD2000HE Dimensions



## CXD2000VE Dimensions



## Throw Dimensions



## Warranty & Approvals

<b>Approvals</b>	CE, BEAB
<b>Warranty</b>	2 Years
<b>Country of Origin</b>	United Kingdom
<b>Manufacturer</b>	Glen Dimplex Heating & Ventilation (GDC Group Ltd)